



HDMI-19P-SND8xx-S277

SHELL MATERIAL:

Blank	BRASS
I	SPCC

SHELL PLATED :

Blank	NI
G	GOLD

NOTE:

1.MATERIAL:

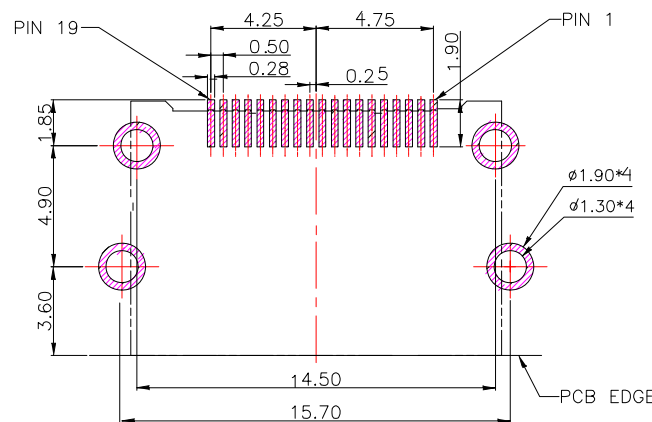
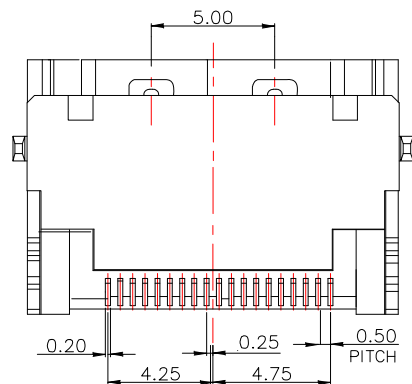
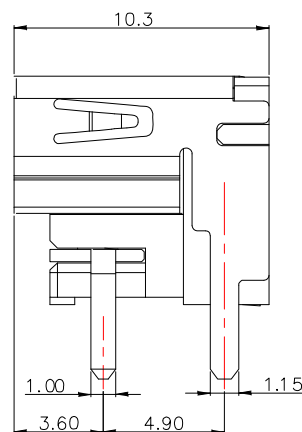
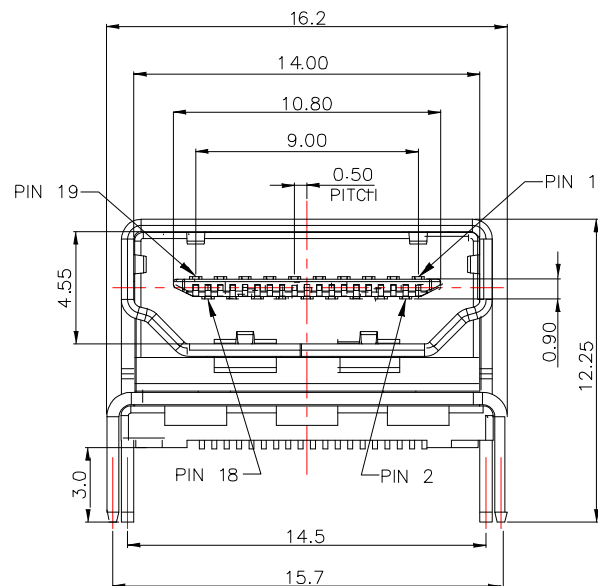
- 1.1 HOUSING: LCP, UL94V-0,Black
- 1.2 CONTACT: PHOSPHOR BRONZE
- 1.3 SHELL: BRASS / SPCC

2.PLATING :

- 2.1 CONTACT: PLATED GOLD IN MATING AREA ;
TIN PLATED ON SOLDER BALLS ;
NICKEL UNDER PLATED OVERALL
- 2.2 SHELL: NICKEL OR GOLD UNDER PLATED SURFACE LAYER

3.ELECTRICAL:

- 3.1 RATING CURRENT: 0.5A
- 3.2 CONTACT RESISTANCE: 10 mΩ Max
- 3.3 INSULATION RESISTANCE: 100MΩ Min
- 3.4 WITHSTANDING VOLTAGE: 300V AC



RECOMMENDED PCB LAYOUT



TOLERANCE UNLESS OTHERWISE STATED :

Up to 5	±0.2
Above 5 ~ 15	±0.3
Above 15 ~ 30	±0.4
Above 30 ~ 50	±0.5
Angle	±0.3°

3RD. ANGEL'S



UNITS MM

DRAWN BY:	DATE
Jack Lu	07/30/15
CHECKED BY:	DATE
Jacky Chen	07/30/15
APPROVED BY:	DATE
Tony Kao	07/30/15

MAT'L		TITLE	CONNECTOR
FINISH		MODLE	HDMI A/F 加高型
SCALE	1 : 1	DWG NO.	HDMI-19P-SND8xx-S277
SHEET NO.	1 of 1	PART NO.	HDMI-19P-SND8xx-S277

ITEM NO.	DESCRIPTION	DRAWN	DATE